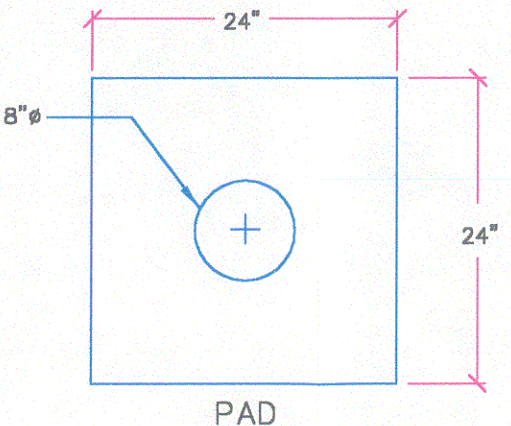
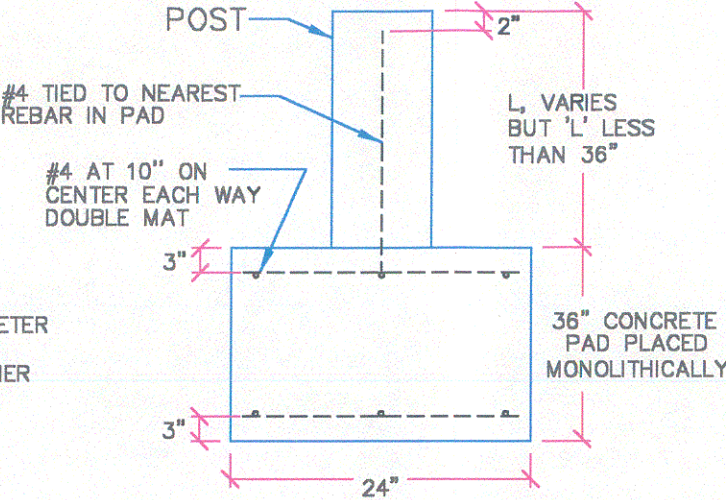


NOTES:

- 1] IF, 'S' IS GREATER THAN 6 FEET, AN INTERIOR GIRDER SHALL BE ADDED SO THAT ANY 'FACE TO FACE' GIRDER SPACING DOES NOT EXCEED 6 FEET. MINIMUM GIRDER SIZE SHALL BE 4"x6".
- 2] A PAD AND POST SHALL BE SPACED NO FURTHER THAN 6 FEET ON CENTERS ALONG A BEAM.
- 3] ALL PADS SHALL BE CAST OF CONCRETE HAVING A 28-DAY COMPRESSIVE STRENGTH OF 3,000 PSI. PADS SHALL BE POSITIONED ON FIRM, WELL COMPACTED SOIL A MINIMUM OF 2 INCHES PROTRUDING ABOVE THE SURROUNDING GROUND SURFACE. THE PAD SHALL BE LEVEL IN 2 DIRECTIONS. A CONCRETE POST, HAVING A DIAMETER OF 8 INCHES SHALL BE PLACED ON THE PAD. ALL BEAMS AND GIRDERS SHALL BE SPACED NO FURTHER THAN 6 FEET.
- 4] ANCHORING REQUIRED PER CITY CODES.

NOTE: FOR NEW CONSTRUCTION, MINIMUM CLEARANCE MUST BE A MINIMUM OF 36".



NOT TO SCALE

PAD AND POST
FOUNDATION ADDITION
CITY OF TAYLOR, TEXAS